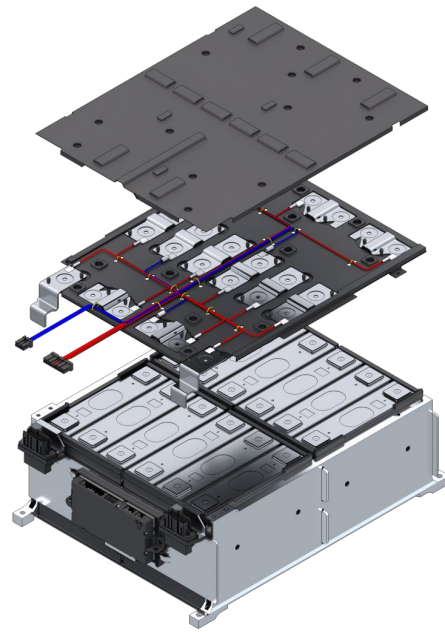


Datasheet

LION Smart Module Long Life 4.2



Features

Availability

- Samples available Q4/2024

Optimized Life-Time

- Cycle Life >8,000
- High energy throughput over lifetime
- Warranty for residual capacity

High quality components

- LFP battery cells
- High quality electronic components
- Proven long lifetime
- Manufactured in Germany

Easy integration

- Pluggable connector and prepared mounting points
- Sensing wiring harness with four temperature sensors and voltage measurement for easy BMS integration
- Touch protected

Customizable setup

- Modular battery storage system for various configurations controlled and connected via customized PDU
- Different geometries possible by using standard components (BMS, S-Box, etc.)
- Up to 1,500V architectures possible
- BMS for 300 – 1,500V separately available



in FOLLOW US ON
LINKEDIN

The Future Of Battery Technology

LION Smart

Preliminary, subject to change without notice

Standards Compliance

- UN 38.3 Transport Safety
- ISO 16750 Environmental conditions
- Fully compliant for a wide range of applications and use cases.

Applicable Conditions

- Optimized shipping quantity:
 - 18 modules securely packed in a cartridge per CHEP container

Contact Info

sales@lionsmart.com



Parameter	Unit	Value
Configuration (Cells)		12s1p
Battery Cell Chemistry		LFP
Charging end point (operation)	V	43.8
Nominal Voltage (DC)	V	38.4
Discharge end point (operation)	V	30.0
Nominal Capacity	Ah	109
Energy Content (nominal)	kWh	4.2
End of Life (State of Health)*	%	70
Cycle Life (@ 8,000 Cycles until 70% SOH 0.5P/0.5P 3~100%)	#	>8,000
Dimensions (L x W x H) Housing	mm	410x304x144
Total Weight (depending on variant)	kg	30
Cooling		Prepared for cooling and heating plates

*Further use beyond this point is not recommended for safety reasons.



in FOLLOW US ON LINKEDIN

The Future Of Battery Technology

LION Smart