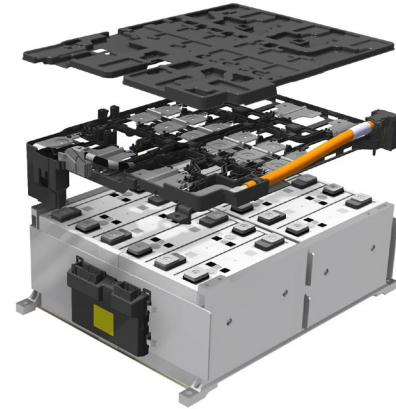


Datasheet

LION Smart Module Power 5.3



Features

Availability

- Off-the-shelf available

High peak power

- High peak power capability
- Fast charging compatibility

Customizable setup

- Serial setup up to 8 modules possible to reach 400V architecture
- Different geometries possible by using standard components (BMS, S-Box, etc.)
- Connectivity up to 12 batteries (with each 8 modules) via standard gateway up to 506 kWh
- Ideal for 48V & 400V architecture

High quality components

- NMC battery cells
- High quality electronic components
- Proven long lifetime
- Manufactured in Germany

Easy integration

- Pluggable connector and prepared mounting points
- Sensing wiring harness with three temperature sensors and voltage measurement for easy BMS integration
- Touch protected

Designed for critical applications

- Safety certified Battery Management Systems (BMS)
- Robust passive safety structure



in FOLLOW US ON
LINKEDIN

The Future Of Battery Technology

LION Smart

Standards Compliance

- UN 38.3 Transport Safety
- ISO 16750 Environmental conditions
- Fully compliant for a wide range of applications and use cases

Applicable Conditions

- Ordering Code: 8851706-01
- Optimized shipping quantity:
 - 18 modules securely packed in a cartridge per CHEP container

Contact Info

sales@lionsmart.com



Parameter	Unit	Value
Configuration (Cells)		12s1p
Battery Cell Chemistry		NMC
Charging end point (operation)	V	50.4
Nominal Voltage (DC)	V	44.0
Discharge end point (operation)	V	32.4
Nominal Capacity	Ah	120
Energy Content (nominal)	kWh	5.3
End of Life (State of Health)*	%	70
Cycle Life (@25°C ambient, 1C/1C & 100% DoD)	#	>2,500
Cycle Life (@25°C ambient, 1C/1C & 80% DoD)	#	>3,000
Max. Discharge Power (5s, 90 % SoC, 25 °C)	kW	18.5
Discharge Power cont. (1200 s, 90 % SoC, 25 °C)	kW	6.6
Max. Charge Power Recuperation (3s, 50% SoC, 25 °C)	kW	10
Max continuous DC charging power ((@ 25 °C ambient, until CV charging step, for one cycle, cooling required)	kW	6.3
Dimensions (L x W x H)	mm	410x304x144
Total Weight (depending on variant)	kg	30
Cooling		Prepared for cooling and heating plates

*Further use beyond this point is not recommended for safety reasons.



The Future Of Battery Technology

LION Smart